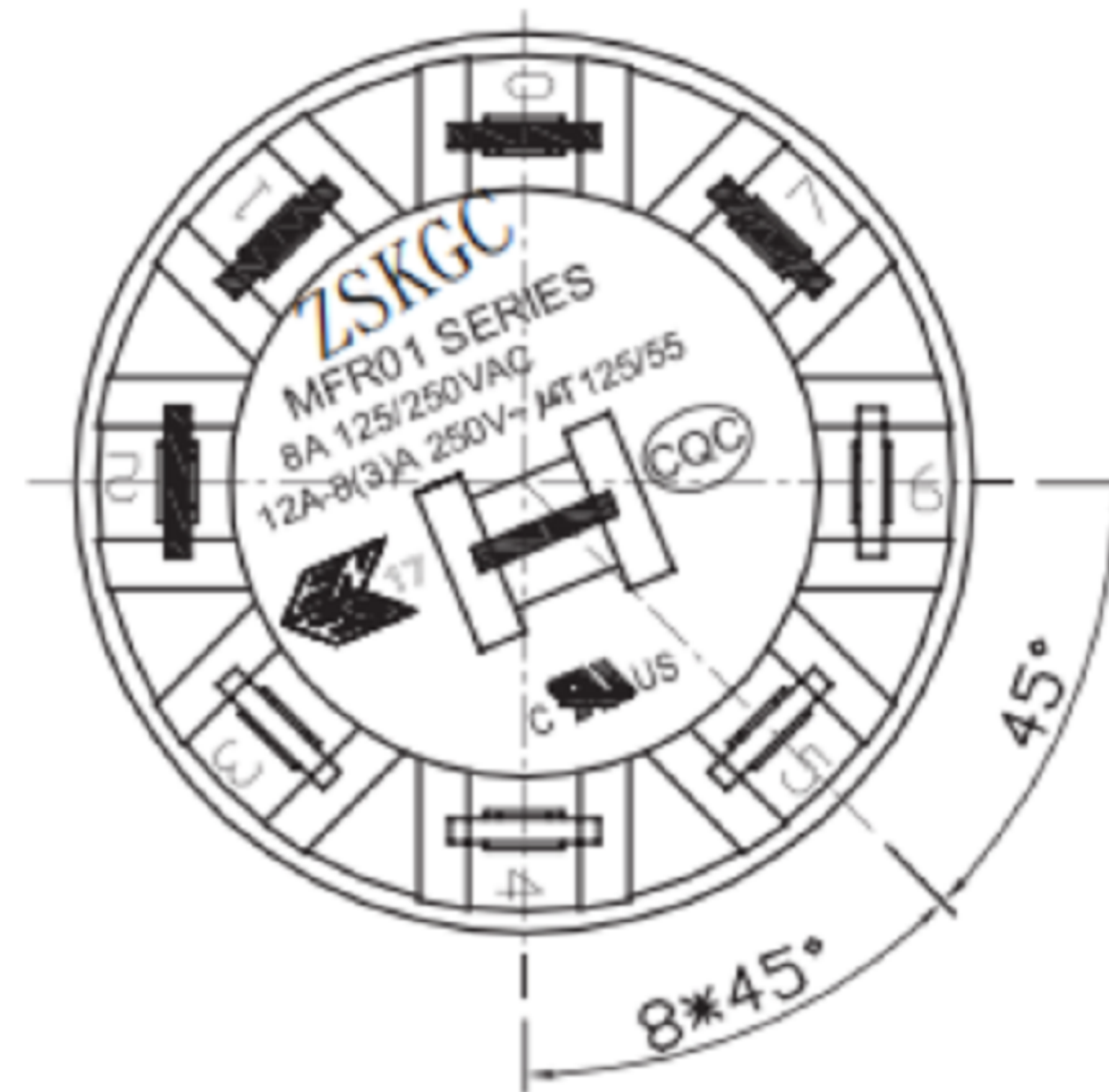
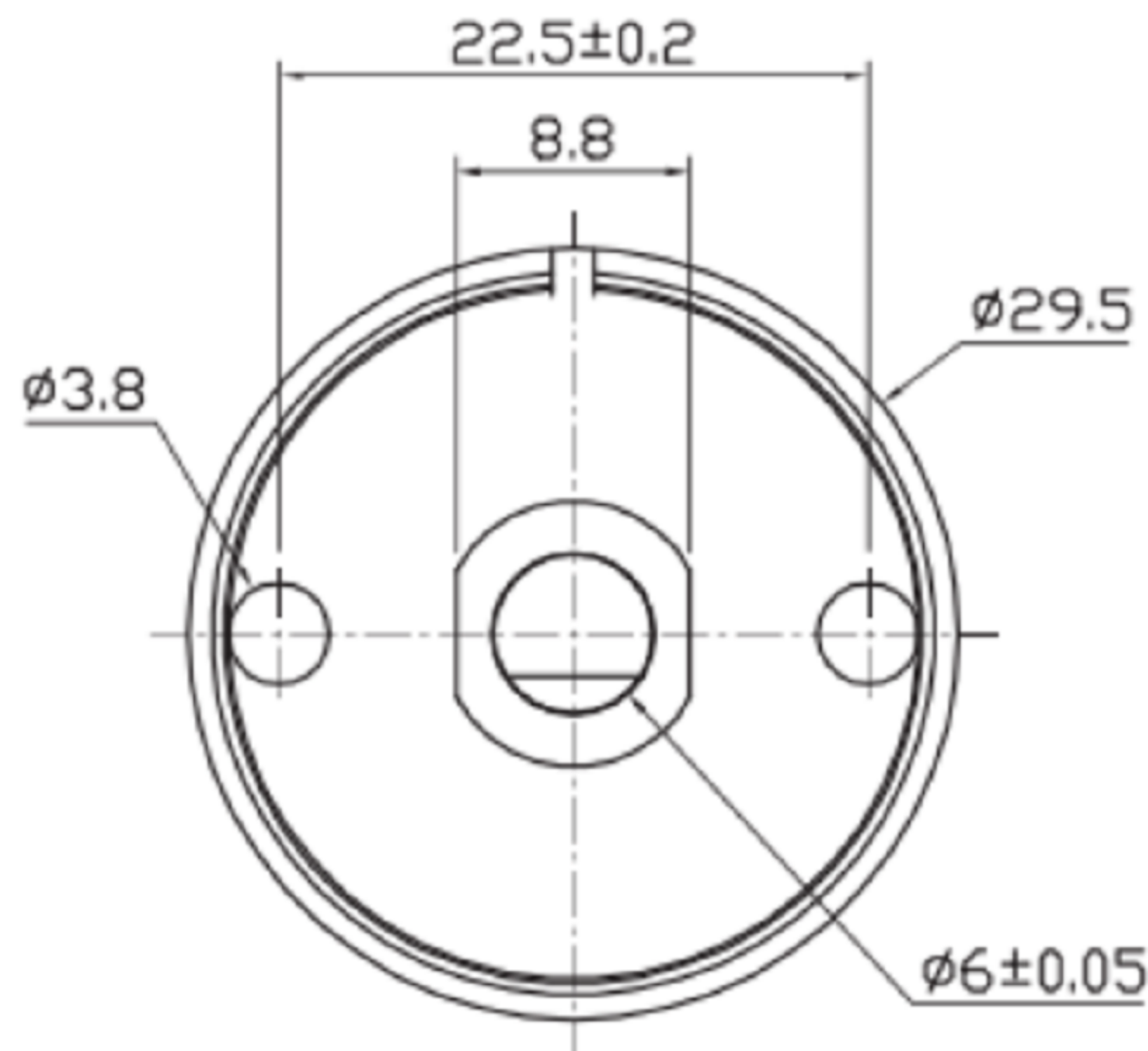
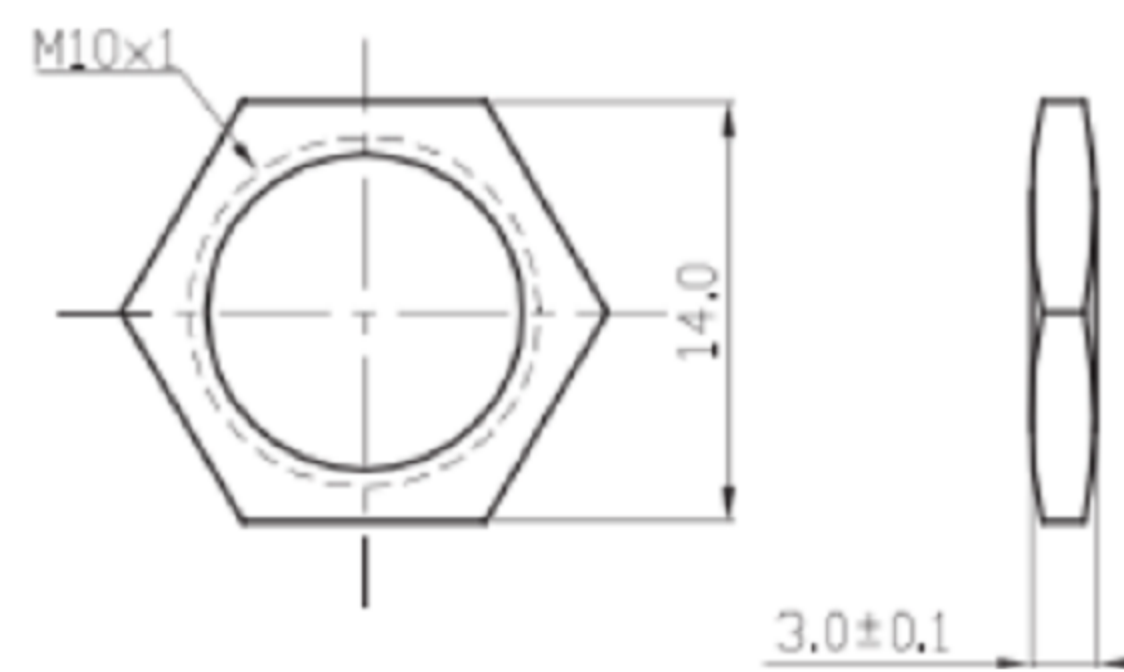


CIRCUIT DESCRIPTION

螺母配件



SPECIFICATION 規格:

Rating 額定:

8A 125/250VAC (UL,CUL)
12A-8(3)A250V-µT125/55(ENEC17,CQC)

Material (材質)

- (柄) ACTUATOR:PA66+30%GF(UL 94V-0)
- (上蓋) CAP:PA66(UL 94V-0)
- (基座) BASE: PA66(UL 94V-0)
- (端子) TERMINAL: BRASS/COPPER ALLOY SILVER PLATED

Electrical (電氣性能)

- (接觸電阻) INITIAL CONTACT RESISTANCE:50mΩ Max
- (操作力量) OPERATION FORCE:600±300gf/1300±500gf/1000±3000gf
- (絕緣電阻) INSULATION RESISTANCE:100MΩ Min 500VDC
- (耐電壓) WITHSTAND VOLTAGE:1KVAC FOR 1 MINUTE
- (電氣壽命) ENDURANCE:10, 000 CYCLES Min

東莞市高迪電子有限公司
DONG GUAN GAO DI ELECTRONICS CO., LTD

TOLERANCE UNLESS OTHERWISE STATED:
Up to 5 ±0.2
Above 5 ~ 15 ±0.3
Above 15 ~ 30 ±0.4
Above 30 ~ 50 ±0.5
Angle ±0.3°

3RD. ANGEL'S

UNITS MM

DRAWN BY: DATE
Ming Ming Zou 07/23/13

CHECKED BY: DATE
Ning Ning Su 07/23/13

APPROVED BY: DATE
Jia Xiang 07/23/13

MAT'L	TITLE	Rotary switch
FINISH	MODLE	Rotary switch
SCALE	DWG NO.	GD-MFR01-A5M02L14BS-R
SHEET NO.	PART NO.	
1 of 1		

2	公差及料號更新	Jack	072313
1	圖面更新	Frank Wu	021012
ITEM NO.	DESCRIPTION	DRAWN	DATE

SIZE
A4
VER
R2